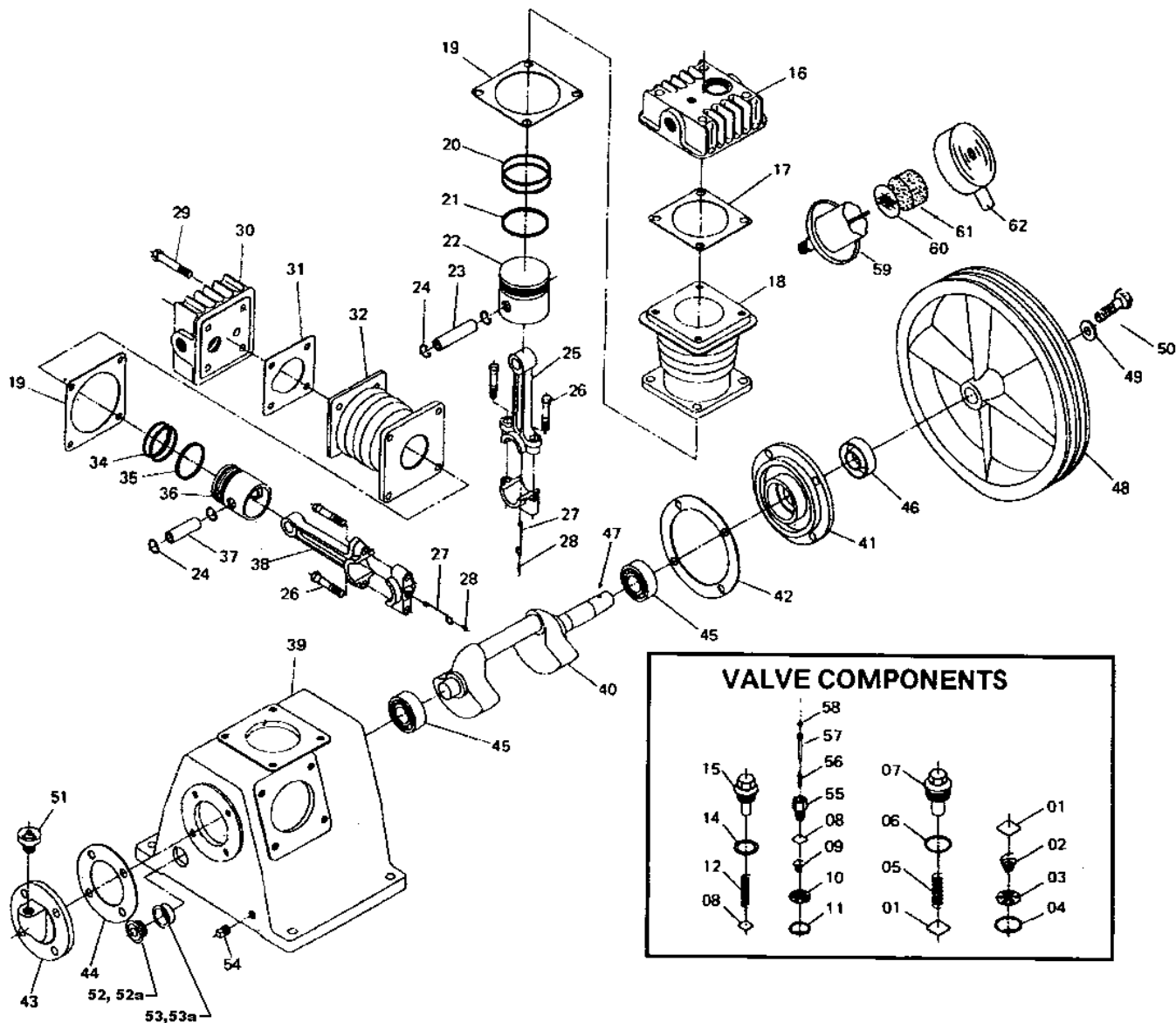


AIR COOLED TWO STAGE MODELS E-11 & E-23



MAIN PARTS LISTING FOR TWO STAGE MODELS E-11 & E-23

VALVES		Qty. Req.	MODEL E11	Qty. Req.	MODEL E23
1.	Inlet & Outlet Valve Plate (1 st)	2	70112-31030	4	70112-31030
2.	Inlet Valve Spring (1 st)	1	70112-31070	2	70112-31070
3.	Inlet Valve Receiver (1 st)	1	70112-31020	2	70112-31020
4.	Inlet Valve Snap Ring (1 st)	1	93610-130232	2	93610-130232
5.	Outlet Valve Spring (1 st)	1	70112-41070	2	70112-41070
6.	Outlet Valve Push Cover Gasket (1 st)	1	70112-11461	2	70112-11461
7.	Outlet Valve Push Cover	1	70112-11450	2	70112-11450
8.	Inlet & Outlet Valve Plate (2 nd)	2	70162-32030	2	70111-31030
9.	Inlet Valve Spring (2 nd)	1	70162-32070	2	70172-32070
10.	Inlet Valve Receiver (2 nd)	1	70162-32020	1	70111-31020
11.	Inlet Valve Snap Ring (2 nd)	1	93610-130222	1	93610-130225
12.	Outlet Valve Spring (2 nd)	1	70162-42070	1	70172-42070
14.	Outlet Valve Push Cover Gasket (2 nd)	1	70162-12650	1	70111-11461
15.	Outlet Valve Push Cover (2 nd)	1	70112-12450	1	70111-11450
CYLINDERS					
16.	Cylinder Head (1 st)	1	70112-11010	2	70112-11010
17.	Cylinder & Head Gasket (1 st)	1	70112-11612	2	70112-11612
18.	Cylinder (1 st)	1	70112-51010	2	70112-51010
19.	Cylinder & Case Gasket	2	70112-51610	3	70112-51610
20.	Compression Ring (1 st)	2	70112-61030	4	70112-61030
21.	Oil Control Ring (1 st)	1	70112-61050	2	70112-61050
22.	Piston (1 st)	1	70112-61011	2	70112-61011
23.	Piston Pin (1 st)	1	70112-61120	2	70112-61120
24.	Piston Pin Snap Ring	4	70112-61070	6	70112-61070
25.	Connecting Rod Assembly (1 st)	2	70112-61200-1	2	70112-61200-1
26.	Connecting Rod Bolt	2	70112-61250	3	70112-61250
27.	Oil Splash Dipper		70122-61282	2	70122-61282
27A.	Oil Splash Dipper		-	1	70132-61290
28.	Oil Splash Dipper Bolt	2	91507-2304010	3	91507-2304010
29.	Cylinder Head Bolt	8	91501-1308025	12	91501-1308025
30.	Cylinder Head (2 nd)	1	70162-12010	1	70172-12010
31.	Cylinder & Head Gasket (2 nd)	1	70162-12610	1	70111-11612
32.	Cylinder (2 nd)	1	70162-52010	1	70172-52010
34.	Compression Ring (2 nd)	2	70162-62030	2	70111-61030
35.	Oil Control Ring (2 nd)	2	70162-62050	2	70111-61050
36.	Piston (2 nd)	1	70162-62010	1	70172-62010-1
37.	Piston Pin (2 nd)	1	70162-62120	1	70172-62120
38.	Connecting Rod Assembly (2 nd)		-	1	70182-62200
CRANK ASSEMBLY					
39.	Crankcase	1	70122-57010-4024	1	70132-57010-4024
40.	Crankshaft	1	70122-56010	1	70132-56010
41.	Front Bearing Cover	1	70122-57030	1	70122-57030
42.	Front Bearing Cover Gasket	1	70122-57950	1	70122-57950
43.	Rear Bearing Cover	1	70122-57060	1	70122-57060
44.	Rear Bearing Cover Gasket	1	70122-57960	1	70122-57960
45.	Bearing	2	93501-6205	2	93501-6205
46.	Front Oil Seal	1	70122-57080	1	70122-57080
47.	V-Pulley Pin	1	70112-56060	1	70112-56060
48.	Compressor Pulley	1	70122-76011	1	70132-76010
49.	Compressor Pulley Thrust Washer	1	70112-76210	1	70112-76210
50.	Compressor Pulley Thrust Bolt	1	91501-1308025	1	91501-1308025
51.	Breather Assembly	1	CCC1375	1	CCC1375
52.	Oil Gauge & Gauge Cover	1	70111-57700	1	70111-57700
52*A.	Oil Level Gauge Assy.	1	70704-57700	1	70704-57700
53.	Gauge Cover Seal	1	70111-57730	1	70111-57730
53*A.	Oil Level Gauge "O" Ring	1	93602-8126026	1	93602-8126026
54.	Crankcase Oil Plug	1	90112-100202	1	90112-100202
54A.	Oil fill cap		-	1	70101-57190-4010
54B.	"O" Ring		-	1	93601-810016
UNLOADERS					
55.	Auto-Unloader Assembly	2	70112-11201	3	70112-11201
56.	Auto-Unloader Spring	2	70112-11230	3	70112-11230
57.	Auto-Unloader Piston	2	70112-11221	3	70112-11221
58.	O-Ring (Unloader)	2	93601-810016	3	93601-810016
AIR STRAINER ASSEMBLY					
61.	Air Strainer Filter	1	70111-66141	2	70111-66141
63A.	Discharge Piping Assembly		-	1	70132-87100
63B.	Discharge Piping Assembly	1	70172-87300	1	70172-87300
64.	Air Strainer Assembly	1	70111-66001	2	70111-66001
65.	Outlet Pipe Joint #A	2	70122-87010	3	70122-87010
65A.	Outlet Pipe Joint #B		-	1	70132-87020

- E11, START S/N AS4040633
- E23, START S/N AS4030313