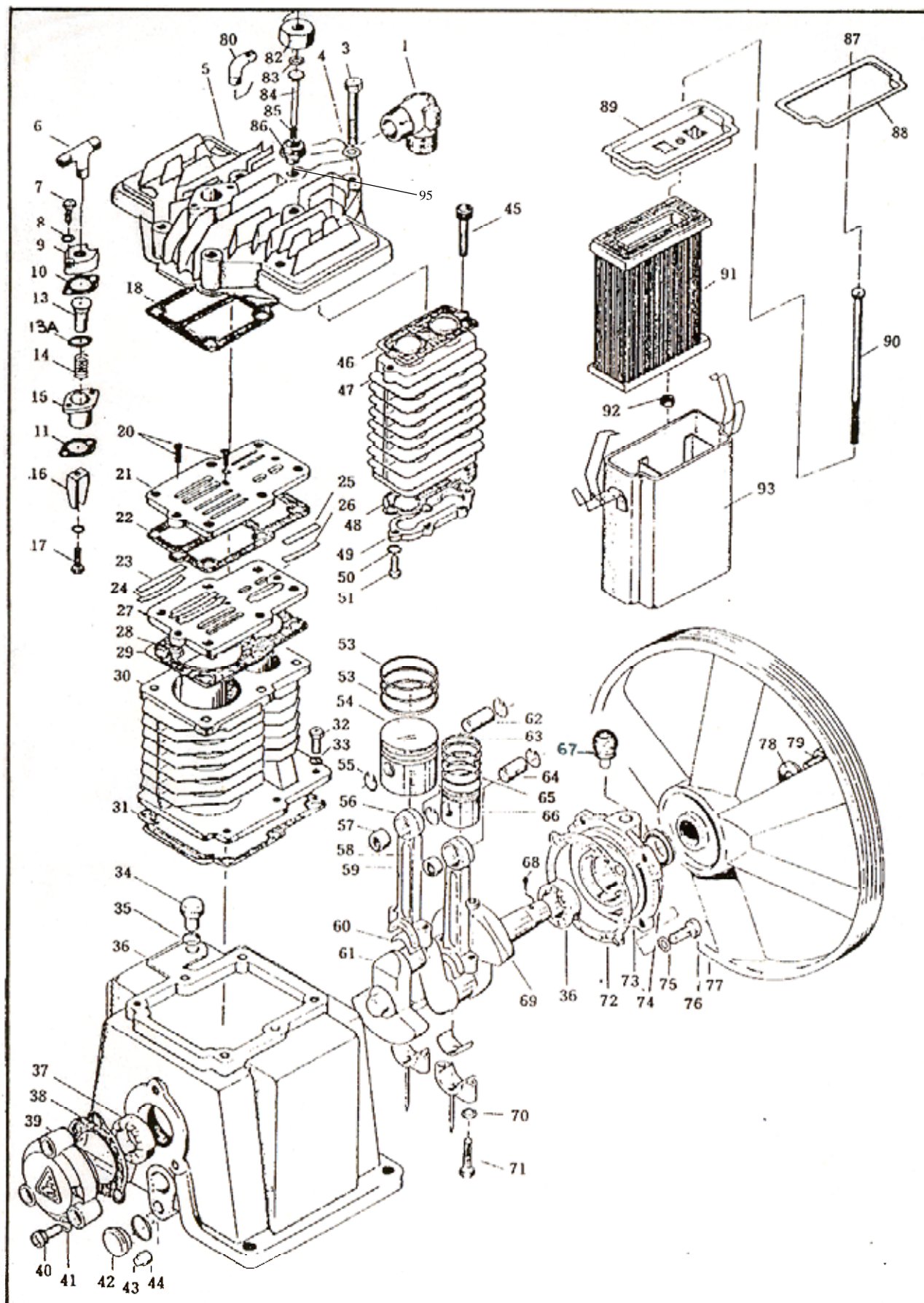


AIR COOLED TWO STAGE MODEL E-57



**MAIN PARTS LISTING FOR
AIR COOLED TWO STAGE MODEL E-57
(FORMERLY B-2)**

	DESCRIPTION	QTY	PART NO.
1.	Discharge Elbow	1	701210A1-87011
2.	Discharge Elbow Nut (Not Shown)	1	79922-130707
3.	Cylinder Head Bolt	6	91501-1310085
4.	Spring Washer	6	92522-131000
5.	Cylinder Head	1	70153-11011
6.	Unloading Tee * #	1	90126-150101
7.	Bolt	2	91521-1306025
8.	Spring Washer	2	92522-130600
9.	Upper Cover	1	70153-11270
10.	Upper Cover Gasket	1	70153-11631
11.	Lower Unloader Gasket	1	70153-11641
12.	Unloader Assembly (1 st)(Includes 13-17)	1	70153-11201
13.	Unloading Piston	1	70153-11222
13A.	Viton O-Ring Unloader (1 st)	1	93601-870015
14.	Unloading Spring	1	70153-11231
15.	Unloading Cylinder	1	70153-11211
16.	Unloading Fork	1	70153-31080
17.	Bolt	1	91501-1306016
18.	Cylinder Head Valve Seat Gasket	1	70153-11612
19.	Valve Plate Assembly (Includes 20-28)	1	70153-31001
20.	Valve Seat Bolt	3	91521-1305012
21.	Valve Seat (Upper)	1	70153-31011
22.	Valve Seat Gasket	1	70153-31120
23.	Valve Plate (1 st)	4	70153-31032
24.	Valve Plate Spring (1 st)	4	70153-31072
25.	Valve Plate (2 nd)	2	70153-32032
26.	Valve Plate Spring (2 nd)	2	70153-32072
27.	Valve Seat (Bottom)	1	70153-31021
28.	Nut	2	92501-230500
29.	Cylinder-Valve Seat Gasket	1	70153-11622
30.	Cylinder	1	70153-51011
31.	Cylinder Crankcase Gasket	1	70153-51611
32.	Bolt	6	91501-1310030
33.	Copper Washer	6	92521-191000
34.	Crankcase Oil Cap	1	CCC1257
35.	Oil Cap O-Ring	1	93601-810018
36.	Crankcase	1	70153-57011
37.	Bearing #6026 (Front & Rear)	2	93501-6206
38.	Rear Cover Gasket	1	70153-57961
39.	Rear Cover	1	70153-57061
40.	Rear Cover Bolt	3	91521-1308030
41.	Copper Washer	3	92521-190800
42.	Oil Level Gauge & Gauge Cover	1	70111-57700
43.	Gauge Cover Seal	1	70111-57730
44.	Crankcase Oil Plug (1/4" NPT)	1	70153-12350
45.	Inter-Cooler Bolt	3	91521-1308055
46.	Gasket	1	70153-71611
47.	Inter-Cooler Body	1	70153-71111
48.	Inter-Cooler Body Gasket	1	70153-71622

	DESCRIPTION	QTY	PART NO.
49.	Inter-Cooler Cover	1	70153-71161
50.	Spring Washer	6	92522-130600
51.	Bolt	6	91501-1306016
52.	Compression Ring (1 st)	2	70124-61030
53.	Oil Control Ring (1 st)	2	70124-61050
54.	Piston (1 st)	1	70153-61011
55.	Piston Pin Snap Ring	4	70153-61071
56.	Connection Rod Assembly (1 st)	1	70153-61211
57.	Piston Pin Bush (1 st)	1	70153-61081
58.	Connecting Rod Assembly (2 nd)	1	70153-62211
59.	Piston Pin Bush (2 nd)	1	70153-62081
59A.	Piston Pin Needle Bearing (2 nd) **	1	93503-TA2420
60.	Connecting Rod Bearing (2 Halves)	2	70153-61090
61.	Crankshaft	1	70153-56011
62.	Piston Pin (1 st)	1	70153-61121
63.	Compression Ring (2 nd)	3	70153-62030
64.	Piston Pin (2 nd)	1	70153-62121
65.	Oil Control Ring (2 nd)	1	70153-62050
66.	Piston (2 nd)	1	70153-62011
67.	Breather Assembly	1	CCC1258
68.	V-Pulley Pin	1	70123-56061
69.	Nut (Connecting Rod)	4	92501-230800
70.	Spring Washer (Connecting Rod)	4	92522-130800
71.	Bolt (Connecting Rod)	4	70153-61250
72.	Front Cover Gasket	1	70153-57951
73.	Front Cover	1	70153-57030
74.	Front Oil Seal	1	70123-57080
75.	Copper Washer	4	92521-190800
76.	Bolt (Front Cover)	4	91501-1310030
77.	Compressor Pulley	1	70153-76011
78.	Compressor Pulley Thrust Washer	1	70123-76210
79.	Compressor Pulley Bolt	1	91501-1310030
80.	Unloading Elbow * #	1	79926-150101
81.	Unloader Assembly (2 nd)(Includes 82-86)	1	70153-12201
82.	Unloader Cover (2 nd)	1	70103-11271
83.	Viton O-Ring Unloader (2 nd)	1	93601-870009
84.	Unloading Piston (2 nd)	1	70153-12222
85.	Unloading Spring (2 nd)	1	70103-11231
86.	Unloader Body (2 nd)	1	70103-11211
87.	Air Strainer Assembly (Includes 88-93)	1	70153-66002
88.	Air Strainer Cover Gasket	1	70153-66132
89.	Air Strainer Cover	1	70153-66121
90.	Air Strainer Bolt	1	70153-66160
91.	Air Strainer Element	1	70153-66142
92.	Nut (Self Lock) Air Strainer	1	92507-230600
93.	Air Strainer Body	1	70153-66012
94.	Intercooler Safety Valve (Not Shown)	1	VV431
95.	Gasket, Copper	1	70152-12280

* Includes Nut(S) And Sleeve(S)
** S/N A4081331 & Later

Not Supplied On Basics